

ARMASTAR
armastar.com



GRP PROFILES

#1 ALTERNATIVE FOR STEEL, WOOD, ALUMINUM

ARMASTAR 01



The combination of glass fibers, polymer resin and special additives forms a **lightweight**, but extremely **strong and durable** material.



Structures made of GRP profiles **will endure for decades**, while retaining their original properties.



GRP is incredibly durable, as it doesn't break down when exposed to **water, sunlight, or chemicals**.

It's simply superior in every aspect

Exceptional thermal stability

(from -100°C to +150°C)

Lightweight material

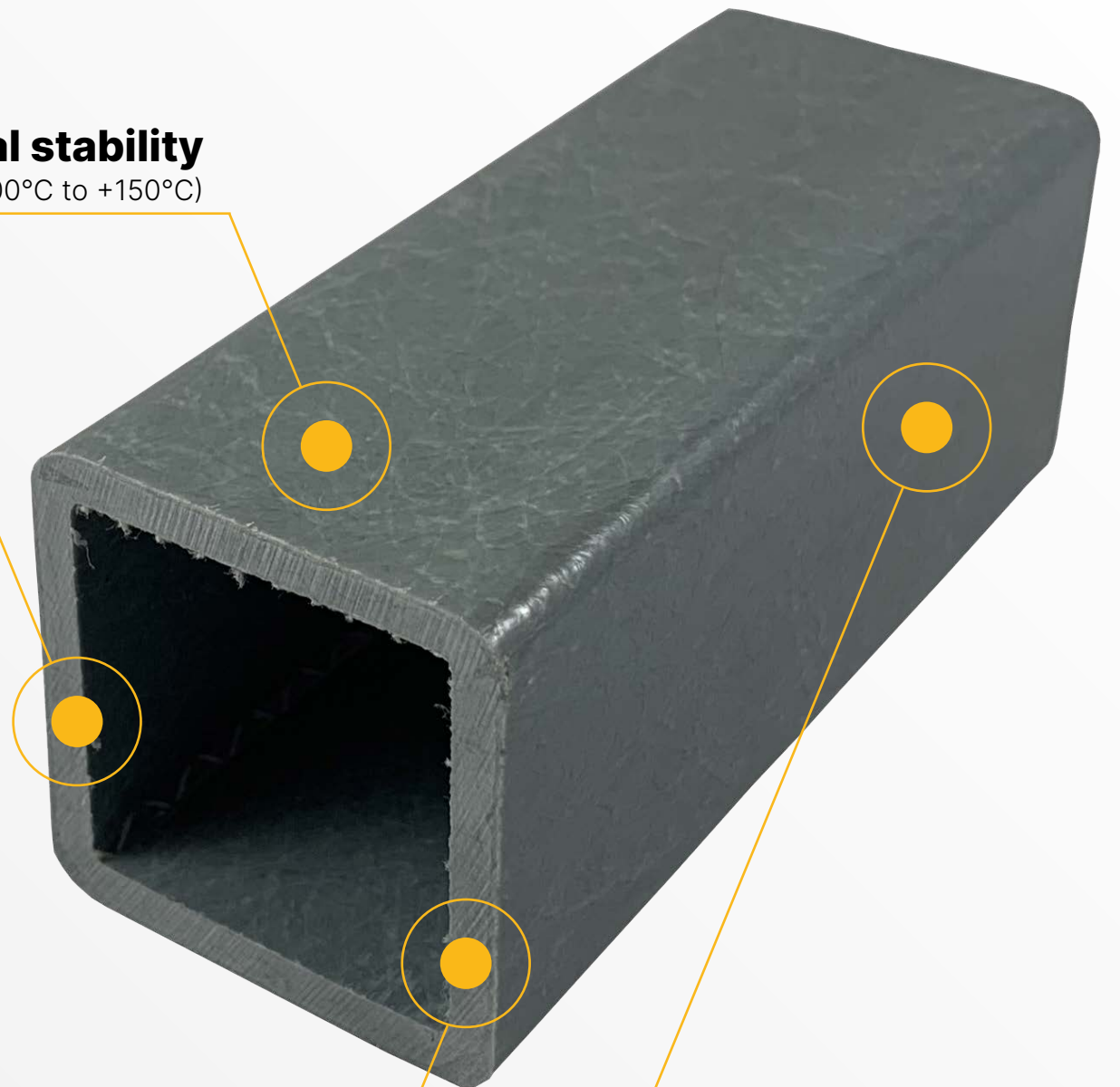
(4 times lighter than steel)

Custom lengths available

(upon request)

UV protection

(prevents color fading)



ARMASTAR 02

- 1 Anti-noise walls
- 2 Walkways
- 3 Service platforms
- 4 Public transport stops
- 5 Benches
- 6 Frames for solar panels
- 7 Fences
- 8 Stairs with landings
- 9 Ladders



**Diverse applications
of GRP structures**

ARMASTAR 03

GRP structures are installed using **bolts** and/or **rivets**, ensuring both a secure connection and an appealing look.



Installation of GRP structures

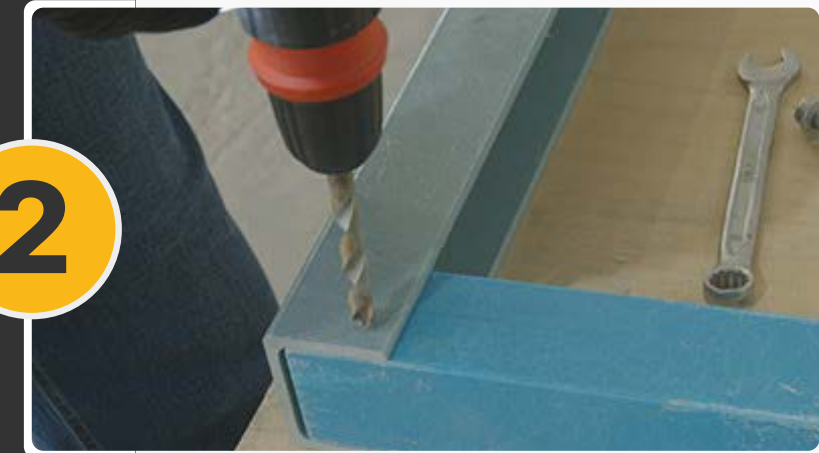
Custom length
profile cutting

1



Hole drilling for
connections

2

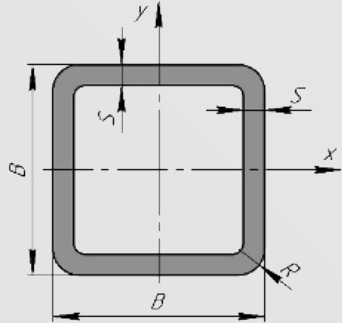


Secure profile connections
with bolts or rivets

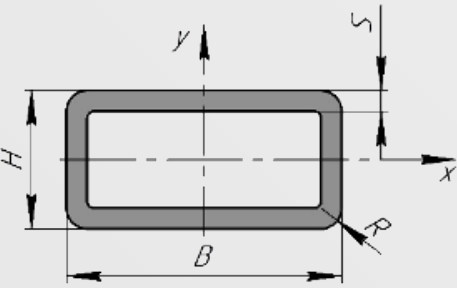
3



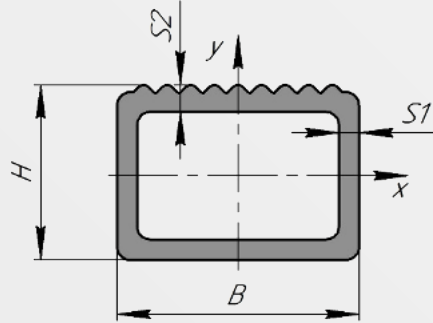
SQUARE PIPE

shape	size (B x B x S)	weight (kg, 1 meter)
	32 × 32 × 3,5	0.74
	40 × 40 × 4	1.06
	50 × 50 × 5	1.74
	76 × 76 × 6	3.25
	76 × 76 × 8	4.13

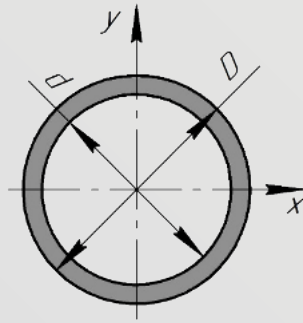
RECTANGULAR PIPE

shape	size (H x B x S)	weight (kg, 1 meter)
	40 × 25 × 3	0.65
	40 × 50 × 4	1.20

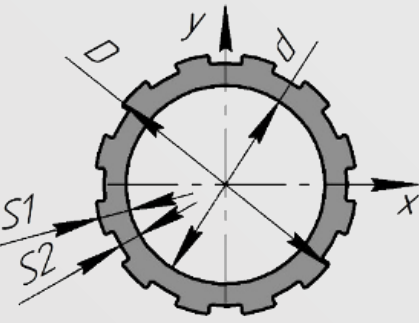
CORRUGATED RECTANGULAR PIPE

shape	size (B x H x S1)	weight (kg, 1 meter)
	36 × 26 × 3	0.66

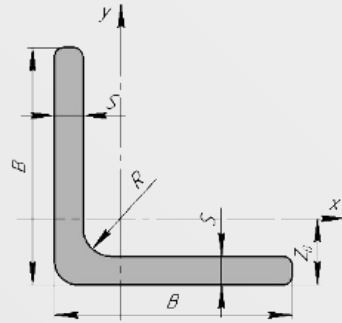
ROUND PIPE

shape	size (D x d)	weight (kg, 1 meter)
	30 × 25	0.42

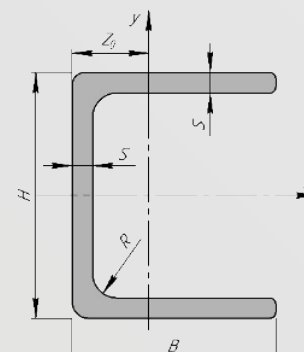
LADDER RUNG

shape	size (D x d)	weight (kg, 1 meter)
	28 × 21.3	0.42

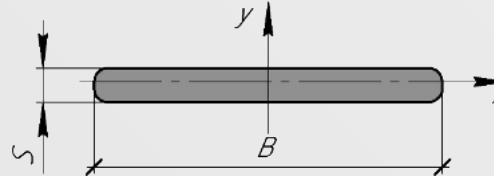
90° ANGLE PROFILE

shape	size (B x B x S)	weight (kg, 1 meter)
	40 × 40 × 4	0.57
	50 × 50 × 6	1.09
	100 × 100 × 10	3.70

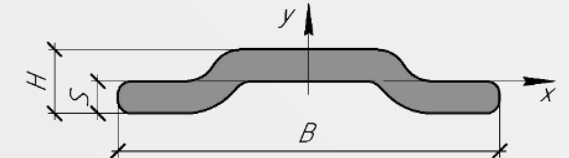
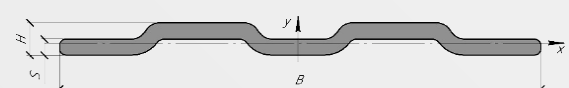
U-TYPE CHANNEL

shape	size (H x B x S)	weight (kg, 1 meter)
	60 × 50 × 5	1.41
	76 × 50 × 7	2.24
	100 × 50 × 6	2.15
	150 × 50 × 7	3.13
	200 × 60 × 10	5.67

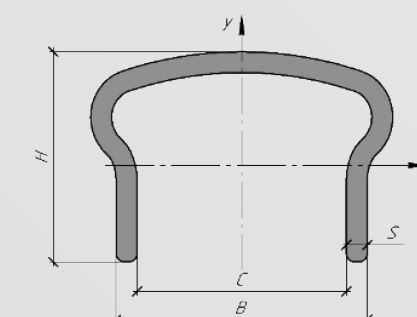
FLAT STRIP

shape	size (B x S)	weight (kg, 1 meter)
	50 × 5	0.48

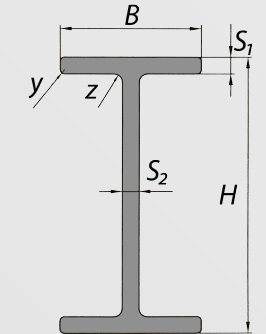
BENT STRIP

shape	size (B x H x S)	weight (kg, 1 meter)
	60 × 10 × 5	0.59
	150 × 10 × 5	1.46

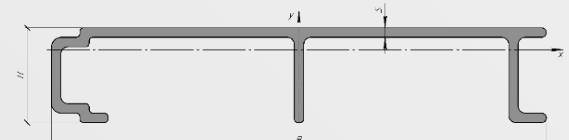
HANDRAIL

shape	size (B x H x S)	weight (kg, 1 meter)
	60 × 50 × 5	1.39

I-BEAM

shape	size (H x B x S2)	weight (kg, 1 meter)
	100 × 50 × 6	2.15

FLOOR PLATE

shape	size (B x H x S)	weight (kg, 1 meter)
	210 × 40 × 4	2.74